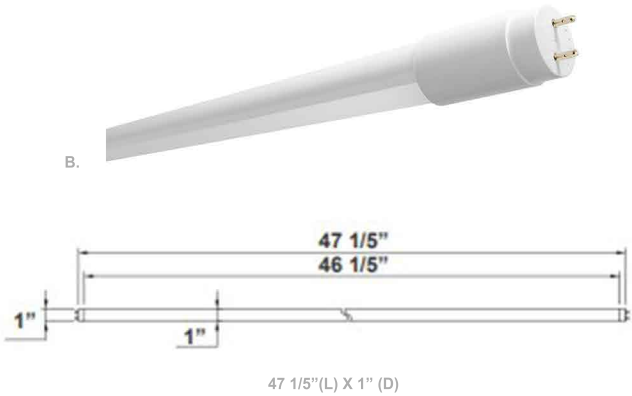
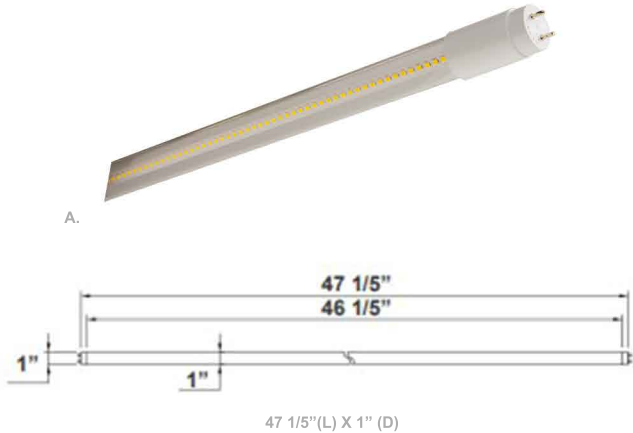


Selectable-Power LED T8 Glass Lamps



Wattage

12W / 15W / 18W

Voltage Input

120-277V
50/60Hz AC

Efficacy

120 LPW

Beam Angle



Finish

G13 Base Type
Shatter-Proof Film
Clear / Frosted Lens

Color Temperatures



Features



Catalog No.	Fig.	Catalog No.	Fig.
T8-EZX-TB-4FT-12-18W-50K-C	A.	T8-EZX-TB-4FT-12-18W-40K-C	A.
T8-EZX-TB-4FT-12-18W-50K-F	B.	T8-EZX-TB-4FT-12-18W-40K-F	B.